

Hinges

Detachable, Zinc die casting / Stainless Steel

SPECIFICATION

Type

- Type **A**: 2x2 bores for countersunk screws

Identification no.

- Version **1**: fixed bearing (pin) right
 - Version **2**: fixed bearing (pin) left

Version in Zinc die casting ZD

Zinc die casting
 plastic coated
 black, RAL 9005, textured finish **SW**
 silver, RAL 9006, textured finish **SR**

Version in Stainless Steel NI

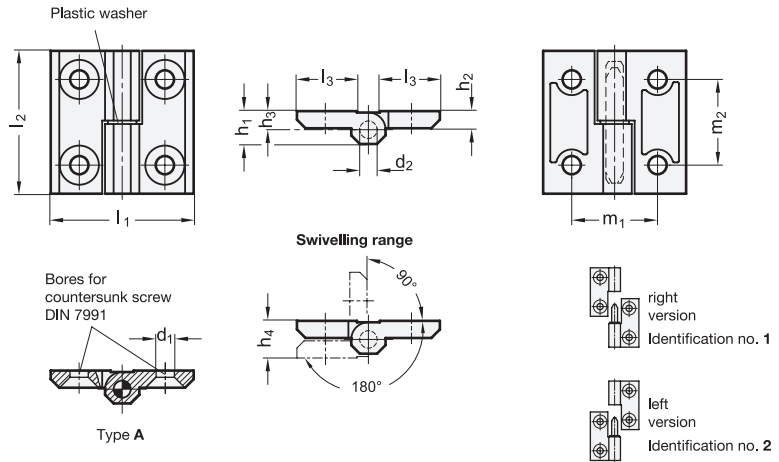
Stainless Steel AISI CF-8
 matt shot-blasted **GS**

Pin
 Stainless Steel AISI 303



TECHNICAL INFORMATION

- Stainless Steel characteristics (see page A26)
- Load rating information (see page A40)
- List of hinges types (see page 1362)



* Complete with colour index of the Hinges (SW or SR)

SW RAL9005 **SR** RAL9006

GN 337-ZD

Description	l1	l2	d1	d2	h1	h2	h3	h4 + 0.5	l3	m1	m2	⚖️
GN 337-ZD-40-40-A-1-*	40	40	5.3	4	9	5	5.5	11	16	25	25	43
GN 337-ZD-50-50-A-1-*	50	50	6.4	6	11.5	6	6.5	13	21	30	30	40
GN 337-ZD-60-60-A-1-*	60	60	8.3	8	15	8	8.5	17	26	36	36	80
GN 337-ZD-40-40-A-2-*	40	40	5.3	4	9	5	5.5	11	16	25	25	80
GN 337-ZD-50-50-A-2-*	50	50	6.4	6	11.5	6	6.5	13	21	30	30	150
GN 337-ZD-60-60-A-2-*	60	60	8.3	8	15	8	8.5	17	26	36	36	155

GN 337-NI

STAINLESS STEEL

Description	l1	l2	d1	d2	h1	h2	h3	h4 + 0.5	l3	m1	m2	⚖️
GN 337-NI-40-40-A-1-GS	40	40	5.3	4	9	5	5.5	11	16	25	25	50
GN 337-NI-50-50-A-1-GS	50	50	6.4	6	11.5	6	6.5	13	21	30	30	100
GN 337-NI-60-60-A-1-GS	60	60	8.3	8	15	8	8.5	17	26	36	36	200
GN 337-NI-40-40-A-2-GS	40	40	5.3	4	9	5	5.5	11	16	25	25	60
GN 337-NI-50-50-A-2-GS	50	50	6.4	6	11.5	6	6.5	13	21	30	30	100
GN 337-NI-60-60-A-2-GS	60	60	8.3	8	15	8	8.5	17	26	36	36	200

